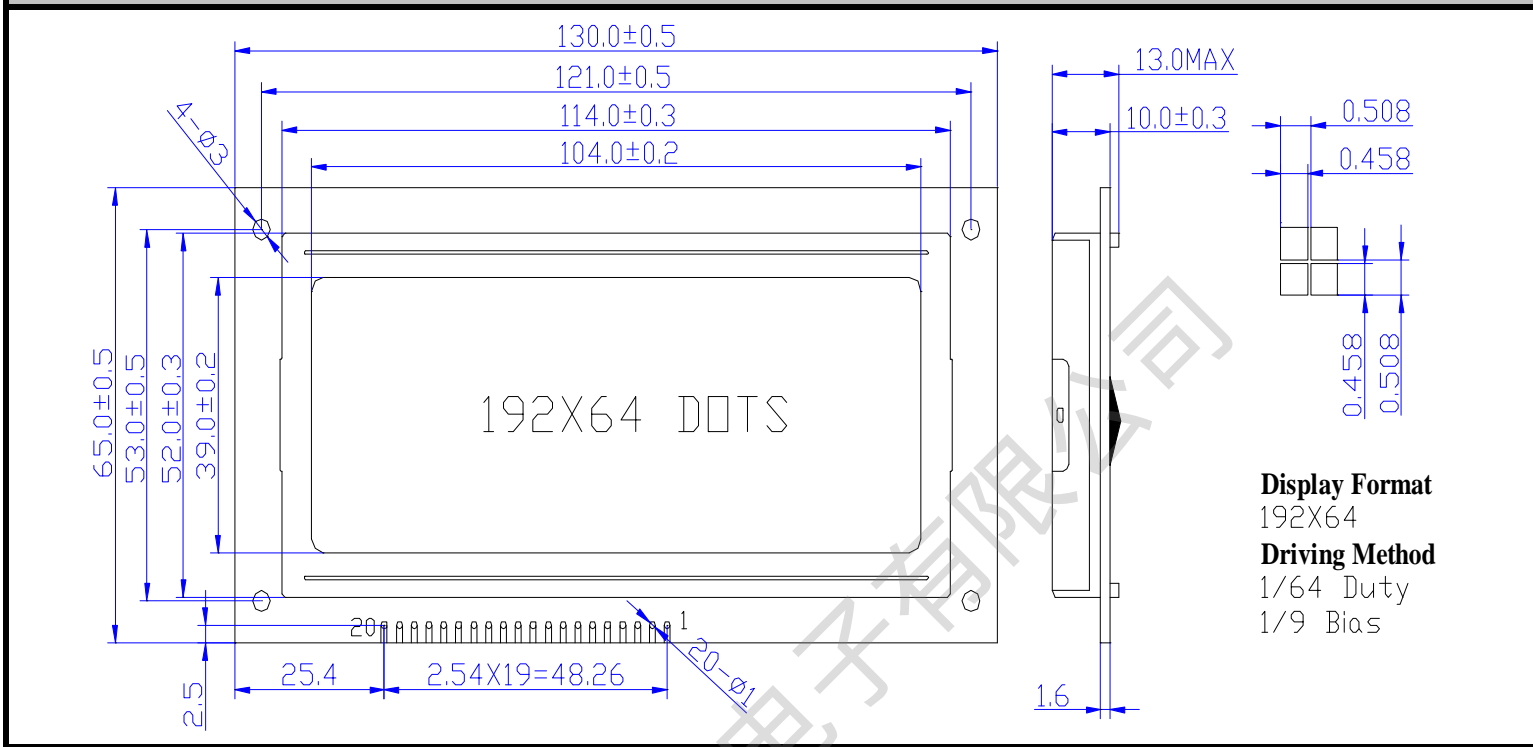


WJ19264A



①PHYSICAL DIMENSION



②MECHANICAL SPECIFICATIONS

Item	Normal Dimensions(mm)
Module Size(W×H×T)	130.0×65.0×13.0
Viewing Area(W×H)	104.0×39.0
Dot Pitch(W×H)	0.508×0.508
Dot Size(W×H)	0.458×0.458

④FEATURE

LCD Type & Colour	STN:Yellow-Green、Blue,FSTN
View Angle	6 O'clock
Display Type	Positive Type,Negative Type
Control IC & Package	KS0107,COB
Operating Temperature	-20℃~70℃
Storage Temperature	-30℃~80℃

③PIN CONNECTIONS

Pin	Symbol	Function
1	VSS	Ground for Logic(0V)
2	VDD	Power supply for Logic(+5V)
3	V0	Power supply for LCD Driver
4	RS	H: Data; L: Instruction Code
5	R/W	H: Read; L: Write
6	E	Enable signal
7~14	DB0~DB7	Data Bus Line
15	CS1	H:Chip Selection For Left Screen
16	/RST	Reset Signal (Active Low)
17	CS2	H:Chip Selection For Middle Screen
18	CS3	H:Chip Selection For Right Screen
19	VEE	Negative voltage output
20	LED+	Backlight Power (+5V)

⑤ELECTRICAL CHARACTERISTICS (Supply current doesn't contain backlight)

Item	Symbol	Test Condition	Typ.	Unit
Operating Voltage	Vdd	Ta=25℃	5.0	V
Supply Current	Idd	Ta=25℃ , Vdd=5.0V	8.0	mA