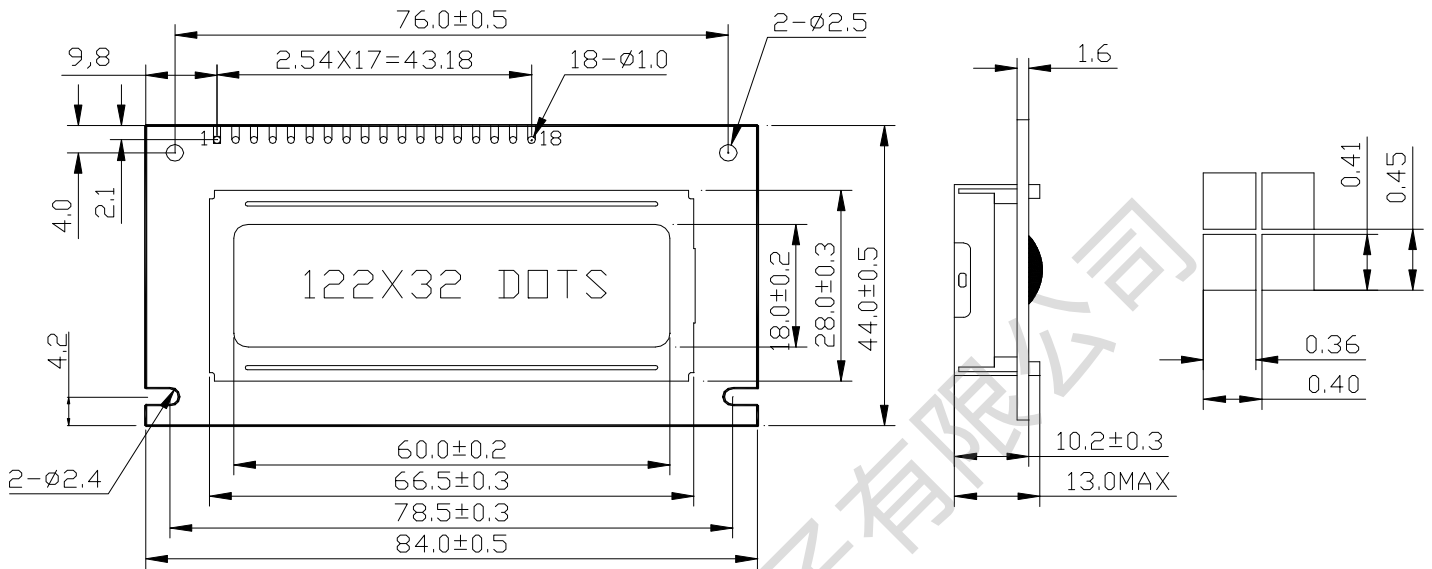


MJ12232B



① PHYSICAL DIMENSION



② MECHANICAL SPECIFICATIONS

Item	Normal Dimensions(mm)
Module Size(W×H×T)	84.0×44.0×13.0
Viewing Area(W×H)	60.0×18.0
Dot Pitch(W×H)	0.40×0.45
Dot Size(W×H)	0.36×0.41

④ FEATURE

LCD Type & Colour	STN:Yellow-Green、Blue,FSTN
View Angle	6 O'clock
Display Type	Positive Type,Negative Type
Control IC & Package	BT1520,COB
Operating Temperature	-20℃~70℃
Storage Temperature	-30℃~80℃

③ PIN CONNECTIONS

Pin	Symbol	Function
1	VDD	Power supply for Logic(+5V)
2	VSS	Ground for Logic(0V)
3	V0	Power supply for LCD Driver
4	RST	Reset Signal (Active Low)
5	E1	Enable signal For Left Screen
6	E2	Enable signal For Right Screen
7	R/W	H: Read; L: Write
8	A0	H: Data; L: Instruction Code
9~16	DB0~DB7	Data Bus Line
17	LED+	Backlight Power (+5V)
18	LED-	Backlight Power (0V)

⑤ ELECTRICAL CHARACTERISTICS (Supply current doesn't contain backlight)

Item	Symbol	Test Condition	Typ.	Unit
Operating Voltage	Vdd	Ta=25℃	5.0	V
Supply Current	Idd	Ta=25℃ , Vdd=5.0V	1.2	mA