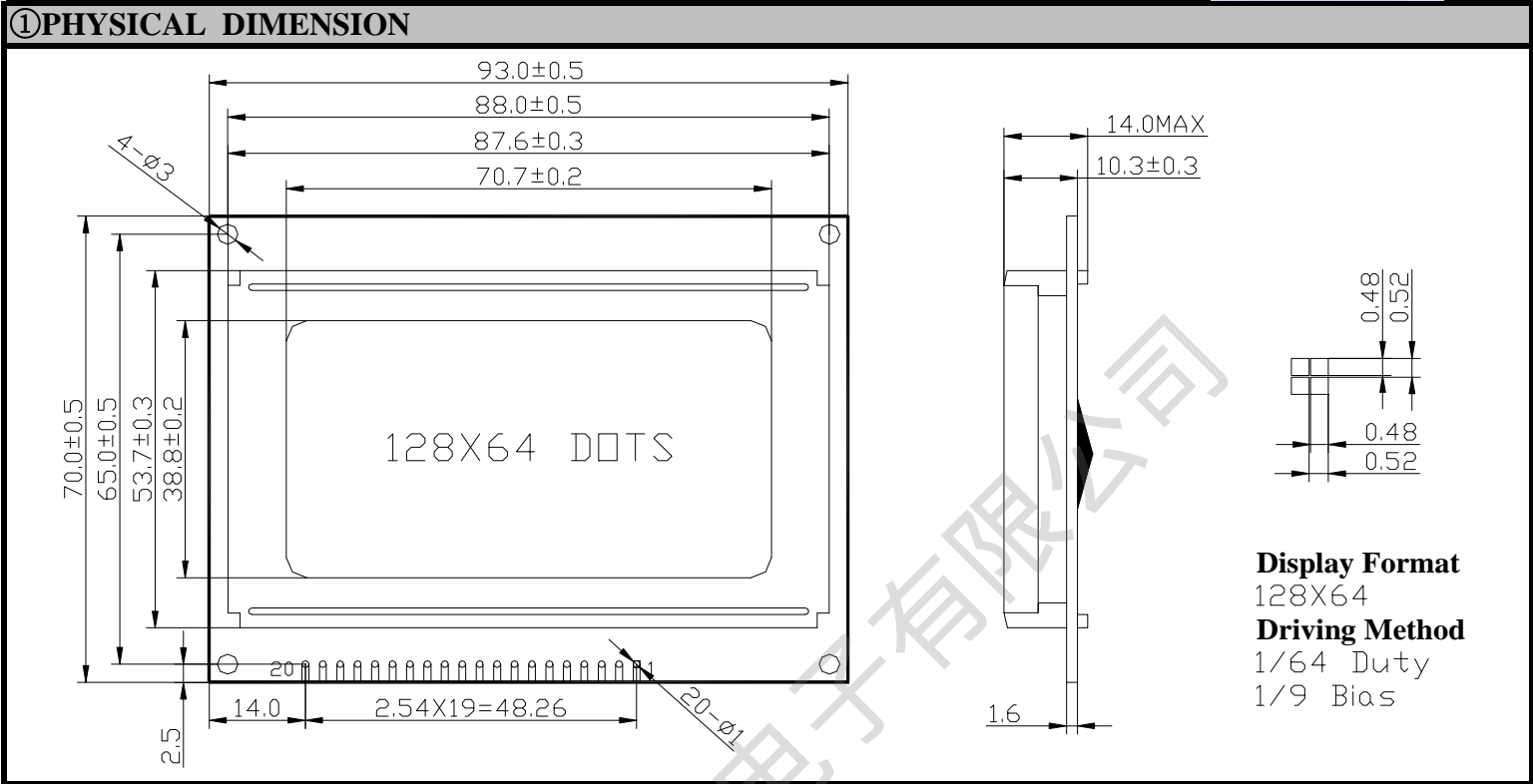


MJ12864J1



② MECHANICAL SPECIFICATIONS

Item	Normal Dimensions(mm)
Module Size(W×H×T)	93.0×70.0×14.0
Viewing Area(W×H)	70.7×38.8
Dot Pitch(W×H)	0.52×0.52
Dot Size(W×H)	0.48×0.48

④ FEATURE

LCD Type & Colour	STN: Yellow-Green、 Blue, FSTN
View Angle	6 O'clock
Display Type	Positive Type, Negative Type
Control IC & Package	KS0107, COB
Operating Temperature	-20°C ~ 70°C
Storage Temperature	-30°C ~ 80°C

③ PIN CONNECTIONS

Pin	Symbol	Function
1	VSS	Ground for Logic(0V)
2	VDD	Power supply for Logic(+5V)
3	V0	Power supply for LCD Driver
4	RS	H: Data; L: Instruction Code
5	R/W	H: Read; L: Write
6	E	Enable signal
7~14	DB0~DB7	Data Bus Line
15	CS1	H: Chip Selection For Left Screen
16	CS2	H: Chip Selection For Right Screen
17	/RST	Reset Signal (Active Low)
18	VEE	Negative voltage output
19	LED+	Backlight Power (+5V)
20	LED-	Backlight Power (0V)

⑤ ELECTRICAL CHARACTERISTICS (Supply current doesn't contain backlight)

Item	Symbol	Test Condition	Typ.	Unit
Operating Voltage	Vdd	Ta=25°C	5.0	V
Supply Current	Idd	Ta=25°C , Vdd=5.0V	7.5	mA