

MJ320240B

SHENZHEN MAIJING ELECTRONIC CO., LTD

Address: 深圳市宝安区福永镇白石厦东区福丰达工业区3栋4楼

Tel: 0755-29630718

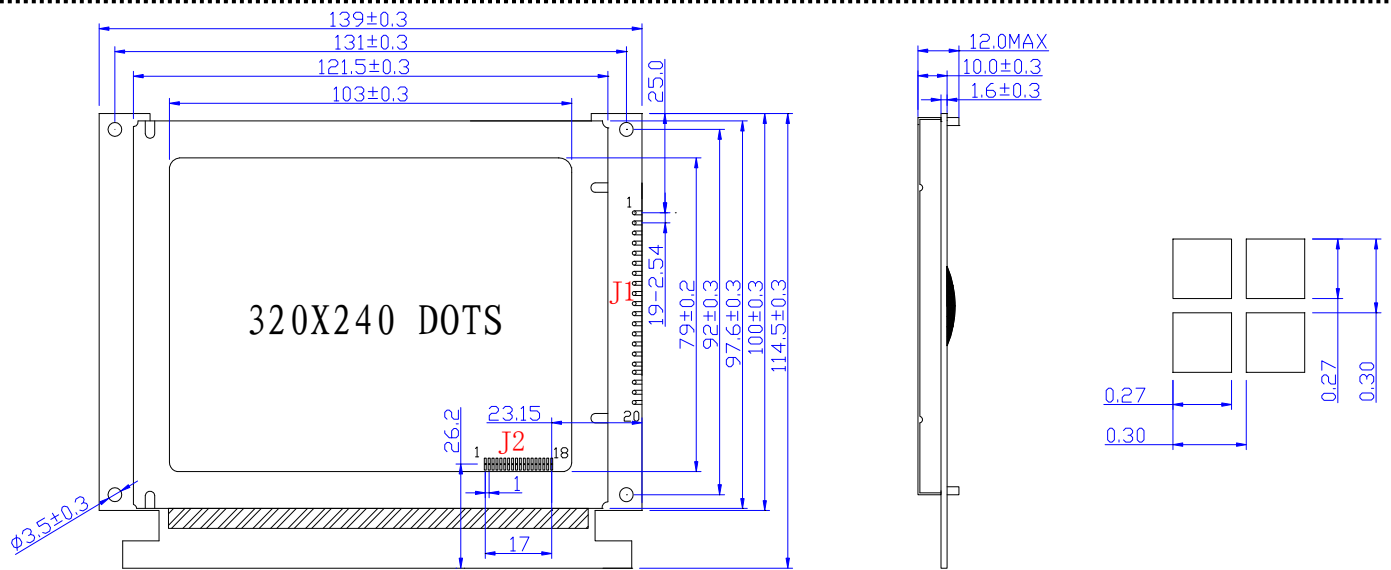
0755-29112278

Fax: 0755-29112278

Postcode:518000

E-Mail:ca_jyz1234@126.com

<http://www.szmlcd.com>



MECHANICAL DATA

Item	Nominal Dimensions	Unit
Module Size(W×H×T)	139.0×114.5×13.0	mm
Viewing Area(W×H)	103.0×79.0	mm
Dot Pitch(W×H)	0.30×0.27	mm
Dot Size(W×H)	0.27×0.27	mm

ABSOLUTE MAXIMUM RATINGS

Item	Symbol	Min	Type	Max	Unit
Operating Voltage	VDD	4.5	5.0	5.5	V
Operating Current	IDD	41	40	39.0	mA
LED Voltage	VLED	4.5	5.0	5.5	V
LED Current	ILED	49	64	81	mA
Operating Temp.	Topr	-20	—	70	°C
Storage Temp.	Tsto	-10	—	80	°C

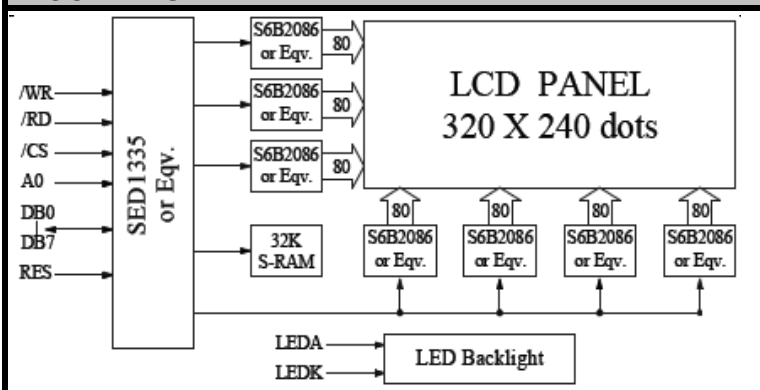
ELECTRICAL CHARACTERISTICS

Item	Symbol	Min	Type	Max	Unit
Input Hight Voltage	V _{IH}	0.8VDD	—	VDD	V
Input Low Voltage	V _{IL}	0	—	0.2VDD	V
Output Hight Voltage	V _{OH}	VDD-0.4	—	VDD	V
Output Low Voltage	V _{OL}	0	—	0.4	V

PIN CONNECTIONS

J1	J2	Symbol	Level	Function
1	1	VSS	—	GND(0V)
2	2	VDD	—	Supply Voltage for Logic(+5V)
3	3	VO	—	Power supply for LCD
4	4	/WR	L	Commang ang data write signal
5	5	/RD	L	Data and status read signal
6	6	/CS	L	Chip Select signal
7	7	A0	H/L	Data type select
8	8	RES	L	Reset Signal(Active LOW)
9	9	DB0	H/L	Data Bus Line
10	10	DB1	H/L	
11	11	DB2	H/L	
12	12	DB3	H/L	
13	13	DB4	H/L	
14	14	DB5	H/L	
15	15	DB6	H/L	
16	16	DB7	H/L	
17	17	NC	—	NO Connect
18	18	VEE	—	Negative Voltage Supply
19		LED-A	—	Back Light Anode(+5V)
20		LED-K	—	Back Light Anode(0V)

BLOCK DIAGRAM



POWER SUPPLY

