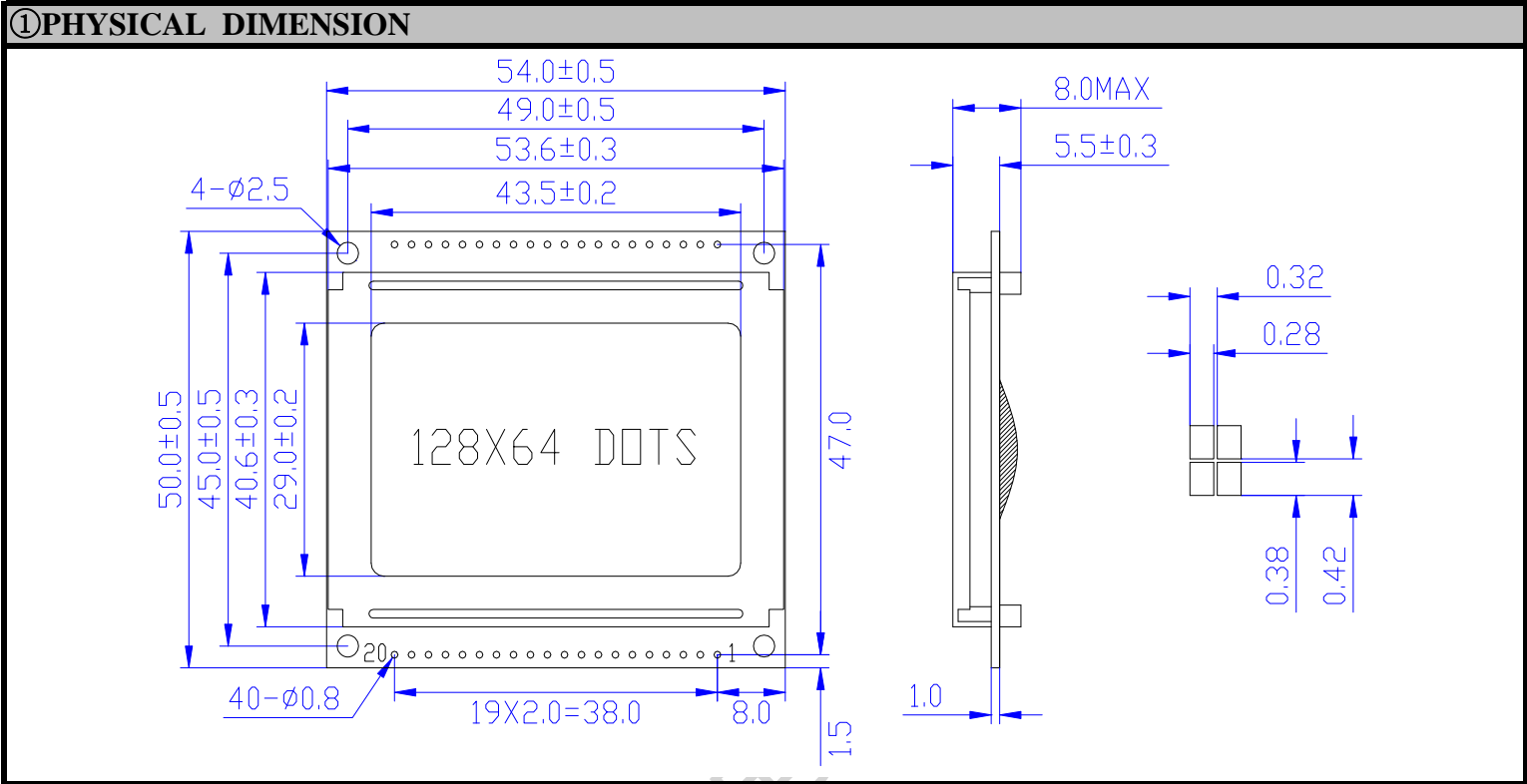


MJ12864I



②MECHANICAL SPECIFICATIONS

Item	Normal Dimensions(mm)
Module Size(W×H×T)	54.0×50.0×8.0
Viewing Area(W×H)	43.5×29.0
Dot Pitch(W×H)	0.32×0.42
Dot Size(W×H)	0.28×0.38

④FEATURE

LCD Type & Colour	STN:Yellow-Green、Blue,FSTN
View Angle	6 O'clock
Display Type	Positive Type,Negative Type
Control IC & Package	ST7920,COB
Operating Temperature	-20℃~70℃
Storage Temperature	-30℃~80℃

③PIN CONNECTIONS

Pin	Symbol	Function
1	VSS	Ground for Logic(0V)
2	VDD	Power supply for Logic(+5V)
3	V0	Power supply for LCD Driver
4	RS	H: Data;L: Instruction Code (P) / Clock (S)
5	R/W	H: Read; L: Write(P) / Data input (S)
6	E	Enable Signal (P) / Chip Select(S)
7~14	DB0~DB7	Data Bus Line
15	PSB	H:Parallel Mode; L:Serial Mode
16	NC	No Connect
17	/RST	Reset Signal (Active Low)
18	Vout	Voltage Doubler Ouput
19	LED-	Backlight Power (0V)
20	LED+	Backlight Power (+5V)

⑤ELECTRICAL CHARACTERISTICS (Supply current doesn't contain backlight)

Item	Symbol	Test Condition	Typ.	Unit
Operating Voltage	Vdd	Ta=25℃	5.0	V
Supply Current	Idd	Ta=25℃ , Vdd=5.0V	5.0	mA